



PHW 300 M Full-Motion TV Wall Mount

Article number (SKU) 6302300
Colour Black

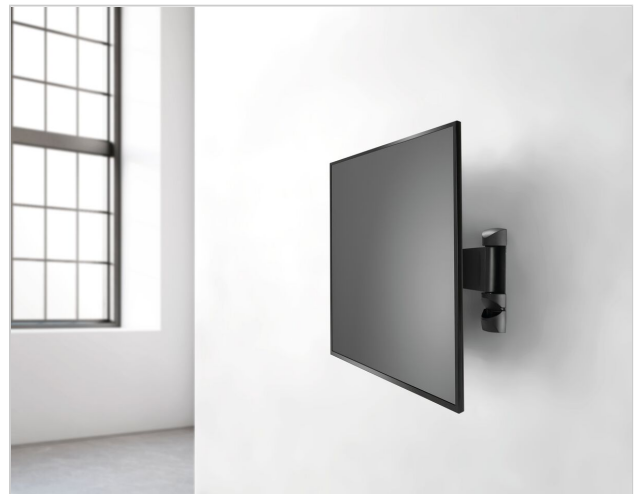
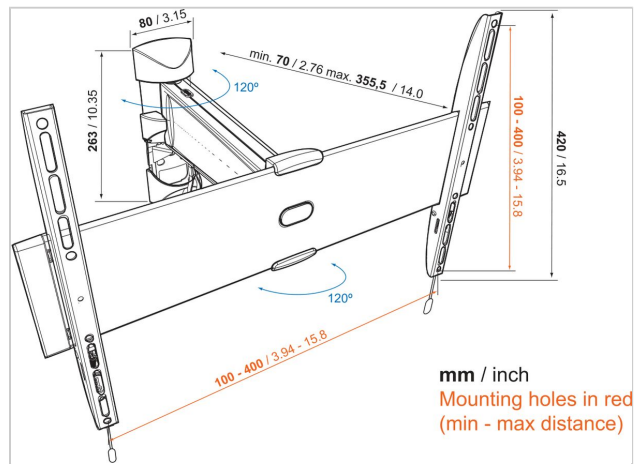


Key Benefits

- Lock your TV securely in place
- Smoothly turn your TV up to 120°
- Strong and Simple: solid, secure solutions to mount your TV

Enjoy your TV mounted flat to the wall. The TURN MEDIUM wall mount from Physix is suitable for TV's from 32" to 55" weighing up to 30 kg.

This universal support is suitable for almost all TV brands. It comes with easy mounting instructions, as well as all the screws and wall plugs you might need. The Turn functionality let's you turn the screen left or right up to 60 degrees (depending on TV size), to ensure the perfect viewing angle from anywhere you want to watch. The Lock Release feature clicks your TV to the wall, and ensures a secure & safe connection between the TV and the wall mount.



PHW 300 M Full-Motion TV Wall Mount

www.vogels.com



VOGEL'S HOLDING BV 2019 (c) All rights reserved.
Subject to printing errors, technical and price amendments.
Date: 2019-09-10

Specifications

Product type number	PHW 300 M
Article number (SKU)	6302300
Colour	Black
EAN single box	8712285315220
Product size	M
TÜV certified	Yes
Turn	Motion (up to 120°)
Guarantee	Lifetime
Min. screen size (inch)	32
Max. screen size (inch)	55
Max. weight load (kg)	30
Min. hole pattern	100mm x 100mm
Max. hole pattern	400mm x 400mm
Max. bolt size	M8
Max. height of interface (mm)	420
Max. width of interface (mm)	490
Max. distance to the wall (mm)	355
Min. distance to the wall (mm)	70
Number of pivot points	2
Universal or fixed hole pattern	Universal

