



PHW 200 L Tilting TV Wall Mount

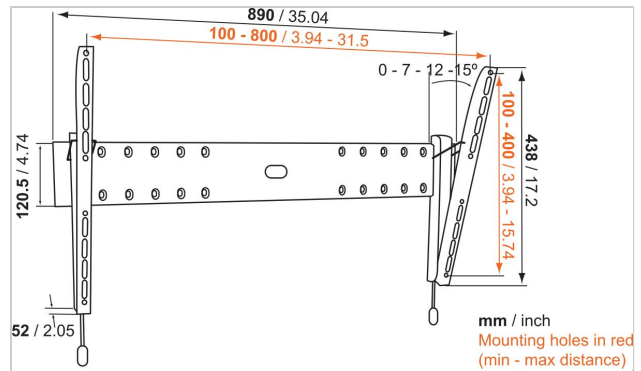
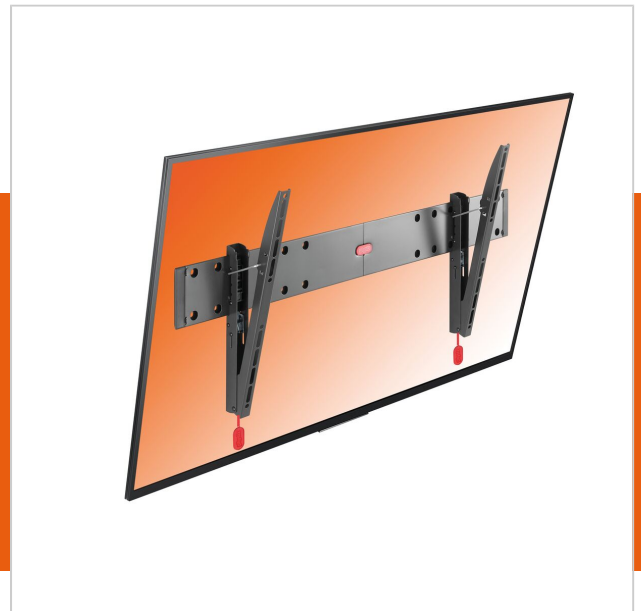
Article number (SKU) 6303200
Colour Black

Key Benefits

- Lock your TV securely in place
- Strong and Simple: solid, secure solutions to mount your TV
- Tilt (up to 15°) to avoid reflections

Enjoy your TV mounted flat to the wall, and tilt it towards your viewing position. The TILT LARGE wall mount from Physix is suitable for TV's from 40" to 65" weighing up to 45 kg.

This universal support is suitable for almost all TV brands. It comes with easy mounting instructions, as well as all the screws and wall plugs you might need. The Tilt functionality let's you angle the screen forwards up to 15 degrees, to ensure the best viewing angle from where you are watching. The Lock Release feature clicks your TV to the wall, and ensures a secure & safe connection between the TV and the wall mount.





PHW 200 L Tilting TV Wall Mount

www.vogels.com

VOGEL'S HOLDING BV 2019 (c) All rights reserved.
Subject to printing errors, technical and price amendments.
Date:2019-09-10

Specifications

Product type number	PHW 200 L
Article number (SKU)	6303200
Colour	Black
EAN single box	8712285315268
Product size	L
TÜV certified	Yes
Tilt	Tilt up to 15°
Guarantee	Lifetime
Min. screen size (inch)	40
Max. screen size (inch)	65
Max. weight load (kg)	45
Min. hole pattern	100mm x 100mm
Max. hole pattern	800mm x 400mm
Max. bolt size	M8
Max. height of interface (mm)	438
Max. width of interface (mm)	890
Min. distance to the wall (mm)	52
Universal or fixed hole pattern	Universal

