



PHW 400 L Full-Motion TV Wall Mount

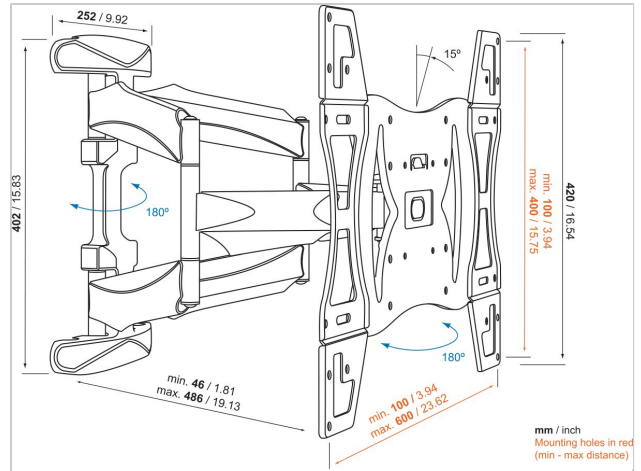
Article number (SKU) 6303400
Colour Black

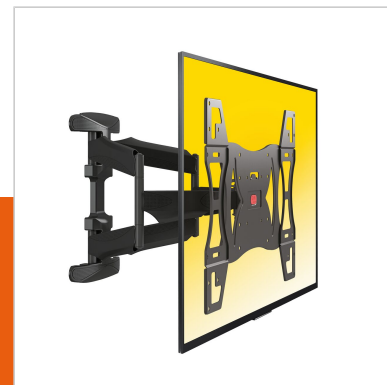
Key Benefits

- Smoothly turn your TV up to 180°
- Strong and Simple: solid, secure solutions to mount your TV

Enjoy your TV mounted flat to the wall, and turn and tilt it towards you for the perfect viewing angle. The TURN & TILT LARGE wall mount from Physix is suitable for TV's from 40" to 82" weighing up to 45 kg.

This universal support is suitable for almost all TV brands. It comes with easy mounting instructions, as well as all the screws and wall plugs you might need. The Turn functionality let's you turn the screen left or right up to 90 degrees (depending on TV size) or tilt it 15 degrees, to ensure the perfect viewing angle from anywhere you want to watch.





PHW 400 L Full-Motion TV Wall Mount

www.vogels.com

VOGEL'S HOLDING BV 2019 (c) All rights reserved.
Subject to printing errors, technical and price amendments.
Date:2019-09-10

Specifications

Product type number	PHW 400 L
Article number (SKU)	6303400
Colour	Black
EAN single box	8712285320828
Product size	L
TÜV certified	Yes
Tilt	Tilt up to 15°
Turn	Full motion (up to 180°)
Guarantee	Lifetime
Max. weight load (kg)	45
Max. bolt size	M8
Max. height of interface (mm)	420
Max. width of interface (mm)	627
Max. distance to the wall (mm)	486
Min. distance to the wall (mm)	46
Universal or fixed hole pattern	Fixed

